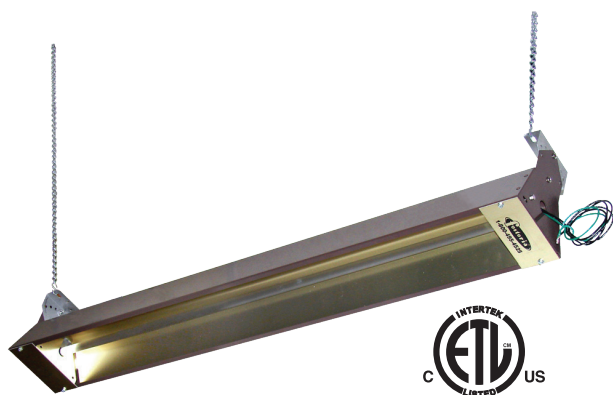


# OCH Series Outdoor / Indoor Rated Quartz Electric Infrared Heater

Heats Solid Objects - Not The Air



Manufactured in U.S.A.

- Frosted Quartz Tube heating element (included)
- Listed for suspended, totally exposed (outdoor) and indoor spot heating applications
- Finish: High-temp brown powder coated finish or corrosion resistant stainless steel 24 Gauge housing
- 60° Symmetric Heat Pattern
- Gold anodized Aluminum reflector and end caps
- Brown finished models are direct wire and include (3) 24" long lead wires for field connections in a remote enclosure (not supplied). Optional electrical box enclosure is available for this series to allow for direct wire connection to the end of the heater housing.
- Stainless steel models include an electrical enclosure assembled to the end of the heater housing and (2) 6" long lead wires for direct field connection.
- Two 2' ft. long mounting chains and four S-Hooks included
- The OCH-Series can be surfaced mounted using the supplied mounting brackets which allow up to a 45° horizontal tilt adjustment.

## Product Models

FINISH - BROWN			FINISH - STAINLESS STEEL			WATTS	BTU'S	VOLTS	AMPS	Cordset Included	Qtz. Tube Repl. Element	WT. (LBS.)
Enclosure Sold Separately			Includes Electrical Enclosure									
UPC#	MODEL	LIST	UPC#	MODEL	LIST							
686334			686334									
480444	OCH-46-120V	299	480529	OCH-46-120V-SS	351	1500	5120	120	12.5	Yes	671-3784	10
480451	OCH-46-208V		480536	OCH-46-208V-SS		2000	6826	208	9.6	Cord Only, NO Plug	671-5061	
480468	OCH-46-240V		480543	OCH-46-240V-SS		2000	6826	240	8.3	Yes	671-3785	
480475	OCH-46-277V		480550	OCH-46-277V-SS		2000	6826	277	7.2	No	671-5018	
480499	OCH-57-208V	344	480574	OCH-57-208V-SS	390	3000	10239	208	14.4	Cord Only, NO Plug	671-5060	12
480482	OCH-57-240V		480567	OCH-57-240V-SS		3000	10239	240	12.5	Yes	671-3786	
480505	OCH-57-277V		480581	OCH-57-277V-SS		3000	10239	277	10.8	No	671-5059	
480512	OCH-57-480V		480598	OCH-57-480V-SS		2250	7679	480	4.7	No	671-5058	

## Product Accessories

UPC #	MODEL	DESCRIPTION	FOR USE WITH	WT. (Lbs.)	LIST
686334					
480888	OCHWG-46	Stainless Steel Wire Guards	OCH-46 Series Models	2	56
480895	OCHWG-57		OCH-57 Series Models	2	59
881128	VMB-41-SS	Wall Mtg. Brackets (2)	ALL OCH Models	12	195
445948	VHC-15	Variable Heat Controller	ALL OCH Models	3	162
485357	VHC-32	Variable Heat Controller	ALL OCH Models	3	422
871556	OCH-EBK-120	Enclosure w/ cord & plug	OCH 120V Models	3	64
871563	OCH-EBK-208	Enclosure w/ cord	OCH 208V Models	3	
871570	OCH-EBK-240	Enclosure w/ cord & plug	OCH 240V Models	3	
871587	OCH-EBK-480	Enclosure Only	OCH 277/480V Models	2	

## OCH Sizing Chart

Mounting Height	Heater Model	Watts	Heat Pattern Coverage ( at floor level)			Total Watts / Sq. Ft.
			Length	Width	Sq. Ft.	
7'	OCH-46	1500	11	9	99	15.2
	OCH-46	2000	11	9	99	20.2
8'	OCH-46	1500	12	10	120	12.5
	OCH-46	2000	12	10	120	16.7
	OCH-57	3000	13	10	130	23.1
	OCH-57	2250	13	10	130	17.3
9'	OCH-46	1500	13	11	143	10.5
	OCH-46	2000	13	11	143	14.0
	OCH-57	3000	14	11	154	19.5
10'	OCH-57	2250	14	11	154	14.6
	OCH-57	3000	15	12	180	16.7
	OCH-57	2250	15	12	180	12.5
12'	OCH-57	3000	17	14	238	12.6
	OCH-57	2250	17	14	238	9.5

# OCH Series Outdoor / Indoor Rated Quartz Electric Infrared Heater

## Product Specifications

**Series:**  
OCH-46 & OCH-57

**Housing:**  
24 Gauge Aluminumized Steel with a baked on, brown enamel (painted) finish. Housing is ETL Listed for indoor applications only. Horizontal mounting only.

**Reflectors and End Caps:**  
.040 Gold anodized Aluminum reflectors and end caps for superior reflectiveness. 60 degree medium (symmetric) pattern only.

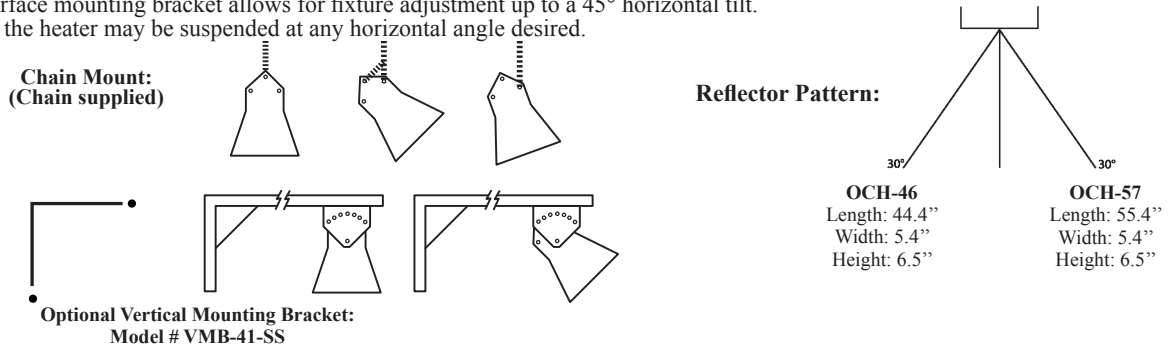
**Elements:**  
Quartz Tubes. Frosted quartz envelope with a Nickel-Chromium coiled filament, porcelain end caps, and threaded-screw (stud) terminations. Fast heat-up and cool-down performance. Available Wattages from 1500 to 3000 Watts per element. Available voltages from 120 to 480 Volts.

**Controls:**  
OCH Series heaters are not manufactured with any control device on the unit. All controls are accessories and should be specified as such. Please consult the technical sales department of factory for help in determining applicable controls. Please follow installation instructions that accompany each heater.

**Accessories:**  
Adjustable mounting brackets (stainless steel only), vertical mounting brackets (stainless steel only), wire guards, thermostats, SCR controllers, and power contactor panels.

## Mounting Configurations & Reflector Pattern

- Mounting**
- Chain, surface mount or use our vertical mounting bracket as shown below. (Note:) All units can only be mounted horizontally.
  - In-Built surface mounting bracket allows for fixture adjustment up to a 45° horizontal tilt.
  - As shown, the heater may be suspended at any horizontal angle desired.



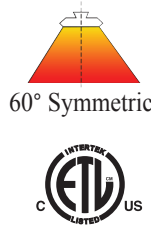
## Mounting Clearances & Recommended Mounting Height

Mounting Clearances	Recommended Mounting Height	
3" from ceiling; 12" from vertical surface 72" from face of heater to combustible surface 36" from another heater	OCH-46 / CH-46C	7'-9'
	OCH-57 / CH-57C	8'-10'

## CH Series Indoor/Semi-Protected Locations Quartz Electric Infrared Heater



Note: Mounting clearances are the same as the OCH Series above.



### Product Features

- 60° Symmetric Heat Pattern
- Bright aluminum reflector and end caps
- Quartz Tube heating element (included)
- 6' long - 3 wire (14/3) cordset with plug that can be removed for direct wiring installations.
- Two 2' ft. long mounting chains and four S-Hooks included
- The OCH-Series can be surfaced mounted using the supplied mounting brackets which allow up to a 45° horizontal tilt adjustment.

UPC # 686334	MODEL	WATTS	VOLTS	DIMENSIONS			PH	BTU's	Cordset Included	WT. (Lbs.)	LIST
				"L"	"W"	"H"					
486000	CH-46C	1500	120	44.4"	5.4"	6.5"	1	5120	Yes	9	281
486010	CH-57C	3000	240	55.4"	5.4"	6.5"		10240		11	321

### Product Accessories

UPC #	MODEL	DESCRIPTION	FOR USE WITH	WT. (Lbs.)	LIST
480888	OCHWG-46	S.S. Wire Guards	CH-46	2	56
480895	OCHWG-57		CH-57	2	59
486335	OCH-MB	Wall Mounting Brackets (2)	CH-46/57	1	18