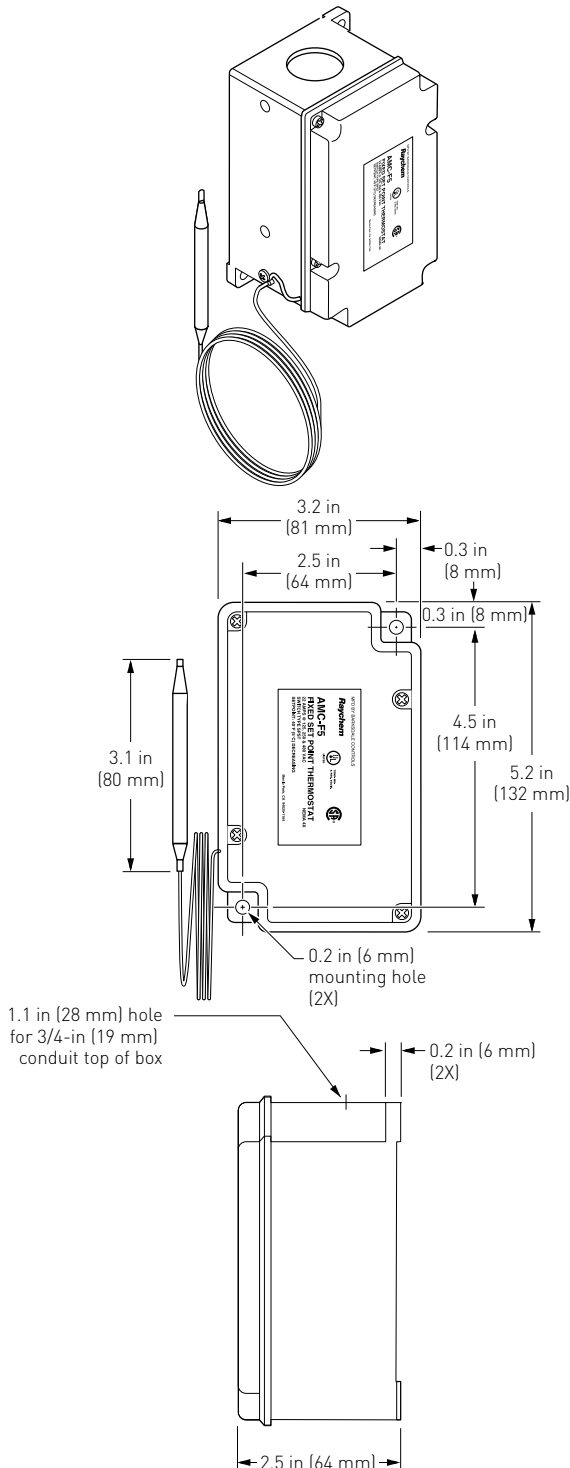


Raychem AMC-F5

FIXED SET POINT FREEZE PROTECTION THERMOSTAT

For nonhazardous locations



PRODUCT OVERVIEW

The Raychem AMC-F5 thermostat is designed to control heat-tracing systems used for freeze protection in nonhazardous locations. The thermostat has a fixed set point of 40°F (5°C) and can be used for ambient-sensing or line-sensing. It can be used to control a single heat-tracing circuit or as a pilot control of a contactor switching multiple heat-tracing circuits.

SPECIFICATIONS

Enclosure	NEMA 4X, UV-resistant thermoplastics
Entries	One 3/4-in (19 mm) through hole
Set point	40°F (5°C) nonadjustable
Sensor exposure limits	-30°F to 140°F (-34°C to 60°C)
Housing exposure limits	-30°F to 140°F (-34°C to 60°C)
Switch	SPST
Electrical rating	22 A at 125 / 250 / 480 Vac
Accuracy	±3°F (±1.7°C)
Deadband	2°F to 12°F (1.1°C to 6.7°C) above actuation temperature
Set point repeatability	±3°F (±1.7°C)
Sensor type	Fluid-filled (silicone) bulb and 2.5 ft (0.8 m) capillary
Sensor material	Tin-plated copper
Connection	Two 14 AWG (2 mm ²) pigtails One ground screw

APPROVALS





WWW.PENTAIRTHERMAL.COM

NORTH AMERICA

Tel: +1.800.545.6258
Fax: +1.800.527.5703
Tel: +1.650.216.1526
Fax: +1.650.474.7711
thermal.info@pentair.com

EUROPE, MIDDLE EAST, AFRICA

Tel: +32.16.213.511
Fax: +32.16.213.603
thermal.info@pentair.com

ASIA PACIFIC

Tel: +86.21.2412.1688
Fax: +86.21.5426.2937
cn.thermal.info@pentair.com

LATIN AMERICA

Tel.: +1.713.868.4800
Fax: +1.713.868.2333
thermal.info@pentair.com

Pentair and AMC are owned by Pentair or its global affiliates. All other trademarks are the property of their respective owners. Pentair reserves the right to change specifications without prior notice.

© 1995–2015 Pentair.