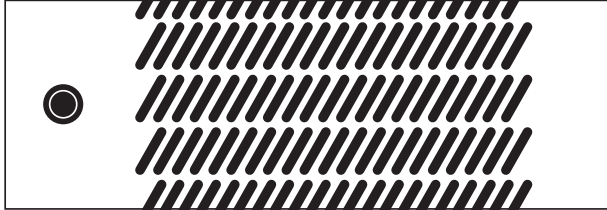




SUBMITTAL SHEET
WHT500 SERIES
 UTILITY WELL HOUSE
 HEATERS

WHT500 - UTILITY WELL HOUSE HEATER

CAPACITIES
376 or 500 WATTS 120, 208 or 240V 1Ø ONLY



JOB NAME: _____

LOCATION: _____

ARCHITECT: _____

ENGINEER: _____

CONTRACTOR: _____

SUBMITTED BY: _____

DATE: _____

ITEM	QTY.	CATALOG NUMBER	TAG	WATTS	VOLTS	PHASE Ø	AMPS	BUILT-IN THERMOSTAT



470 Beauty Spot Rd. E, Bennettsville, SC 29512

ARCHITECT'S & ENGINEER'S SPECIFICATIONS*

Furnish and install, where indicated on plans, electric heater suitable for well house freeze protection as manufactured by QMark, A Marley Engineered Products Brand, Bennettsville, SC. Heaters shall be cULus Listed.

ENCLOSURE: The heater shall be fabricated of 24-gauge galvanized steel, completely welded, then coated with a corrosive resistant neutral grey polyester powder paint coating.

HEATING ELEMENT: The heating element shall be of non-glowing design consisting of special resistance wire enclosed in a steel sheath to which aluminum fins are mechanically crimped..

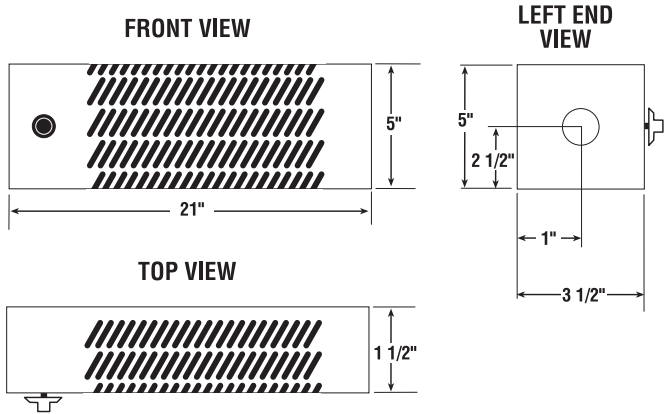
CONTROL BOX: The heater housing shall contain an enclosed tamper proof control box to isolate all live electrical parts from the remainder of the heater. An integral thermostat with a temperature range of 40 deg. F to 70 deg. F shall be completely contained in the control box.

GENERAL: The heater shall be triple rated to operate at 120, 208 or 240 VAC. Shipped wired for 240/208v, field conversion to 120v is quick and easy.

* MEP reserves the right to change specifications without prior notice.

** Limitations: Do not install in areas where water may enter heater unit. Do not locate where air flow may be obstructed.

DIMENSIONS



SELECTION CHART

CATALOG NUMBER	VOLTS*	WATTAGE	AMPS	BTU/HR
WHT500	240	500	2.1	1708
	208	376	1.8	1284
	120	500	4.2	1708

