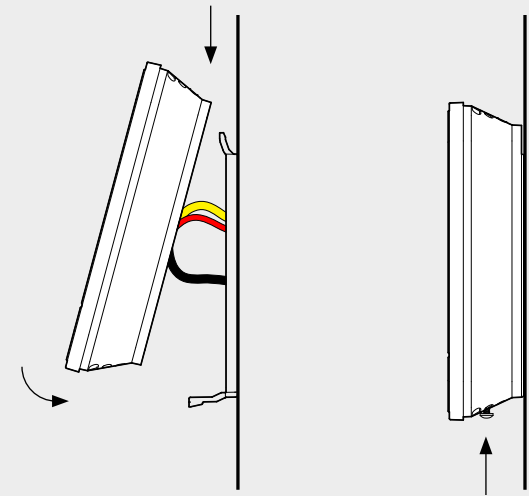


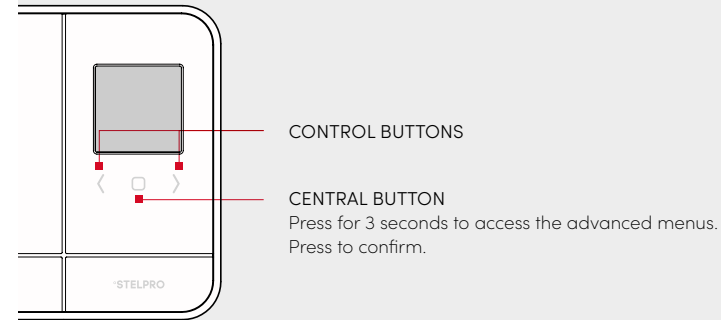
3

ATTACH THE THERMOSTAT TO THE MOUNTING PLATE.



4

CONFIGURE THE INITIAL SETTINGS.



**MENU 20**  
TEMPERATURE FORMAT (°F / °C)

**MENU 30**  
HEATING MODE  
Baseboard (OFF) / Fan Heater (ON)

**MENU 31**  
LOBBY MODE\*  
Standard Room (STD) / Lobby (LbY)  
\*Lobby mode is an option only in  
Fan Heater mode.

5

INSTALL AND CONFIGURE THE ALLIA APP.



6

PAIR THE THERMOSTAT TO THE ALLIA ECOSYSTEM.

- 1- In the Allia application, click on the + in the device tab.
- 2- Select thermostat as device type.
- 3- On the thermostat, access menu 10 by pressing the central button for 3 seconds and select the automatic connection option (ON). Press the central button to confirm the selection.



Connection established.



No network detected.

°STELPRO

# Allia

QUICK START GUIDE



SMART THERMOSTAT

# BEFORE GETTING STARTED

Choosing the location of your devices wisely will optimize Allia's mesh network and promote efficient communication between the devices.

Leave at least 12 in. clearance around the thermostat to ensure adequate ventilation.

For more information, visit [www.stelpro.com/en/allia](http://www.stelpro.com/en/allia)



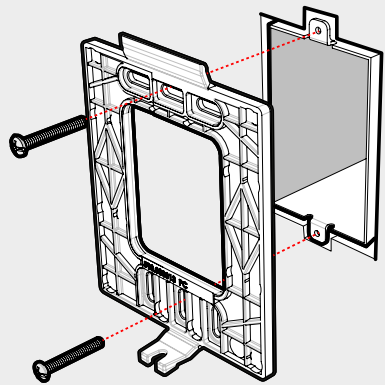
All wiring diagrams: [stelpro.com/en/allia/sat402zb--quickstart-guide](http://stelpro.com/en/allia/sat402zb--quickstart-guide)

# WARNING

- 1 - To reduce the risk of fire, electric shock or electrocution, CUT OFF THE POWER AT THE ELECTRICAL PANEL and make sure the circuit is switched off.
- 2 - Always follow the electrical code in effect in your region. The thermostat must be installed by a CERTIFIED ELECTRICIAN.
- 3 - Connect the thermostat ONLY to a 120 VAC to 240 VAC power source and observe the load limits.

1

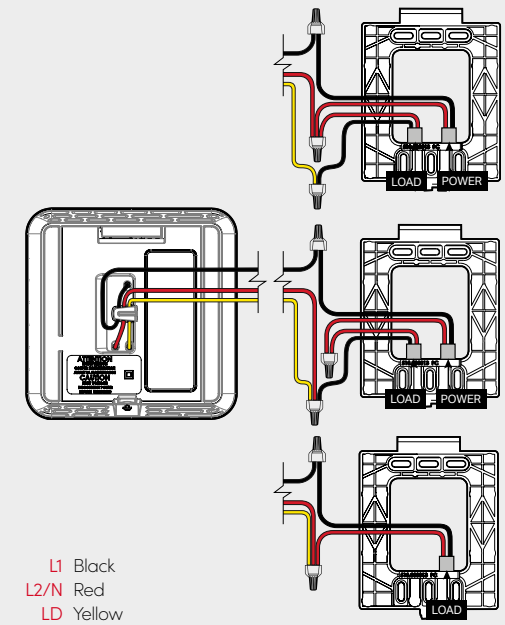
REMOVE THE OLD THERMOSTAT AND ATTACH THE MOUNTING PLATE TO THE ELECTRICAL BOX.



NOTE: Loosen the screw under the thermostat slightly to remove the mounting plate from the thermostat.

2

CONNECT THE ELECTRICAL WIRES.



For baseboards, convectors and fan heaters

3 CONNECTORS  
UNIVERSAL CONNECTION

For baseboards and convectors only

3 CONNECTORS  
ALTERNATIVE CONNECTION

For baseboards and convectors only

2 CONNECTORS  
CONNECTION

Visit our website to get more information, learn everything there is to know about Allia or view the complete user guide.

[www.stelpro.com/en/allia](http://www.stelpro.com/en/allia)



QS-ASA7402ZB\_1020 | 560-000062