

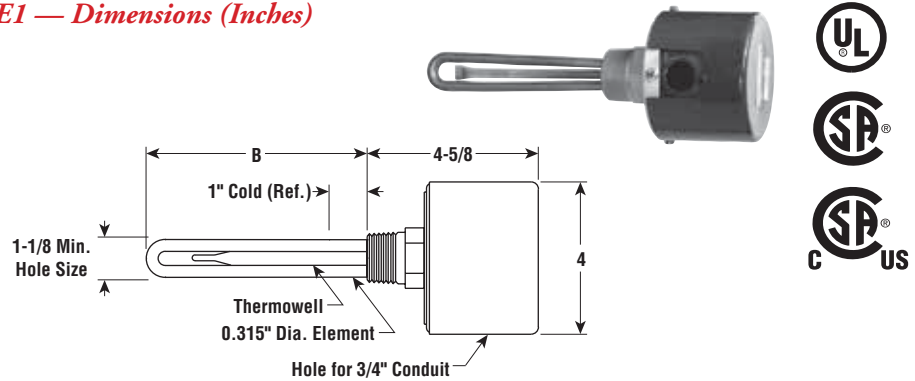
# Immersion

## MT

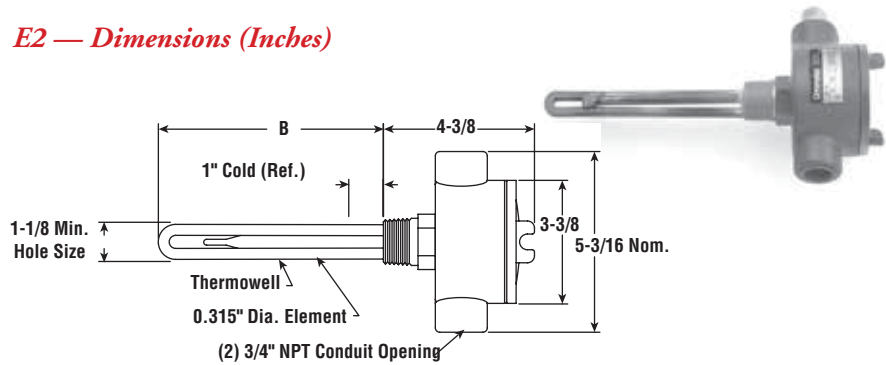
### Clean Water Applications

- 1" NPT Brass Screw Plug
- Copper Sheath Element
- High Watt Density (64 - 86 W/in<sup>2</sup>)
- 0.75 - 3 kW
- Without Thermostat
- 120 and 240 Volt, Single Phase
- General Purpose, Moisture Resistant/Explosion Resistant Terminal Enclosure, or Moisture Resistant

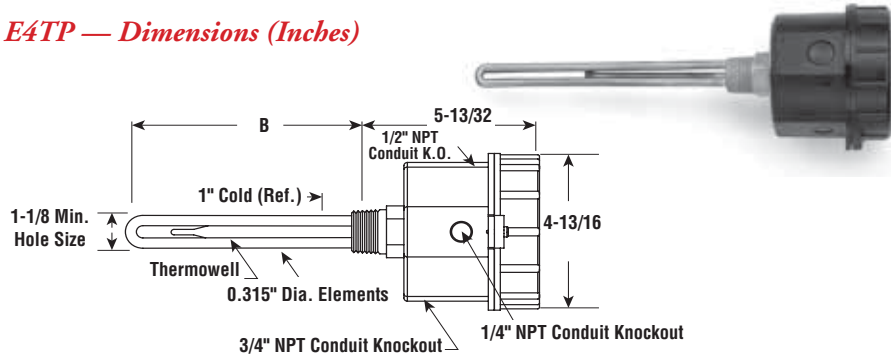
**E1 — Dimensions (Inches)**



**E2 — Dimensions (Inches)**



**E4TP — Dimensions (Inches)**



### Specifications and Ordering Information

						E1 General Purpose <sup>1</sup>				E2 Moisture Resistant/ Explosion Resistant <sup>2</sup>				E4 Moisture Resistant			
kW	Volts	Phase	W/in <sup>2</sup>	No. Elem.	DIM B (In.)	Model	Stock	PCN	Wt. (Lbs.)	Model	Stock	PCN	Wt. (Lbs.)	Model	Stock	PCN	Wt. (Lbs.)
0.75	120	1	64	1	6-5/16	MT-750	AS	036281	2	MT-750E2	NS	036425	5	MT-750E4TP	NS	060003	2
0.75	240	1	64	1	6-5/16	MT-750	AS	036290	2	MT-750E2	NS	036433	5	MT-750E4TP	NS	060011	2
1	120	1	85	1	6-5/16	MT-1000	AS	036302	2	MT-1000E2	NS	036441	5	MT-1000E4TP	NS	060020	2
1	240	1	85	1	6-5/16	MT-1000	AS	036310	2	MT-1000E2	NS	036450	5	MT-1000E4TP	NS	060038	2
1.25	120	1	83	1	8-1/16	MT-1250	AS	036329	2	MT-1250E2	NS	036468	5	MT-1250E4TP	NS	060046	2
1.25	240	1	83	1	8-1/16	MT-1250	AS	036337	2	MT-1250E2	NS	036476	5	MT-1250E4TP	NS	060054	2
1.5	120	1	86	1	9-1/4	MT-1500	AS	036345	2	MT-1500E2	NS	036484	5	MT-1500E4TP	NS	060062	2
1.5	240	1	86	1	9-1/4	MT-1500	AS	036353	2	MT-1500E2	NS	036492	5	MT-1500E4TP	NS	060070	2
2	120	1	83	1	12-1/4	MT-2000	AS	036361	2	MT-2000E2	NS	036505	5	MT-2000E4TP	NS	060089	2
2	240	1	83	1	12-1/4	MT-2000	AS	036370	2	MT-2000E2	NS	036513	5	MT-2000E4TP	NS	060097	2
2.5	120	1	79	1	16-1/4	MT-2500	AS	036388	2	MT-2500E2	NS	036521	5	MT-2500E4TP	NS	060100	2
2.5	240	1	79	1	16-1/4	MT-2500	AS	036396	2	MT-2500E2	NS	036530	5	MT-2500E4TP	NS	060118	2
3	120	1	78	1	19-7/8	MT-3000	AS	036409	3	MT-3000E2	NS	036548	6	MT-3000E4TP	NS	060126	3
3	240	1	78	1	19-7/8	MT-3000	AS	036417	3	MT-3000E2	NS	036556	6	MT-3000E4TP	NS	060134	3

**Stock Status:** S = stock NS = non-stock  
**To Order**—Specify model, volts, phase, kW, PCN and quantity.

1. Heaters with General Purpose Enclosures are UL Listed and CSA Certified.
2. Heaters with Moisture Resistant/Explosion Resistant Enclosures are <sub>C</sub>CSA<sub>US</sub>® Certified.

**FASTShip**

Same-day shipping on stock item orders received before 4 pm CST.  
 3-day shipping on assembly-stock items.