

For Special Custom Order Products - Once in production non-cancellable, non-returnable under any circumstance.

Tube Axial

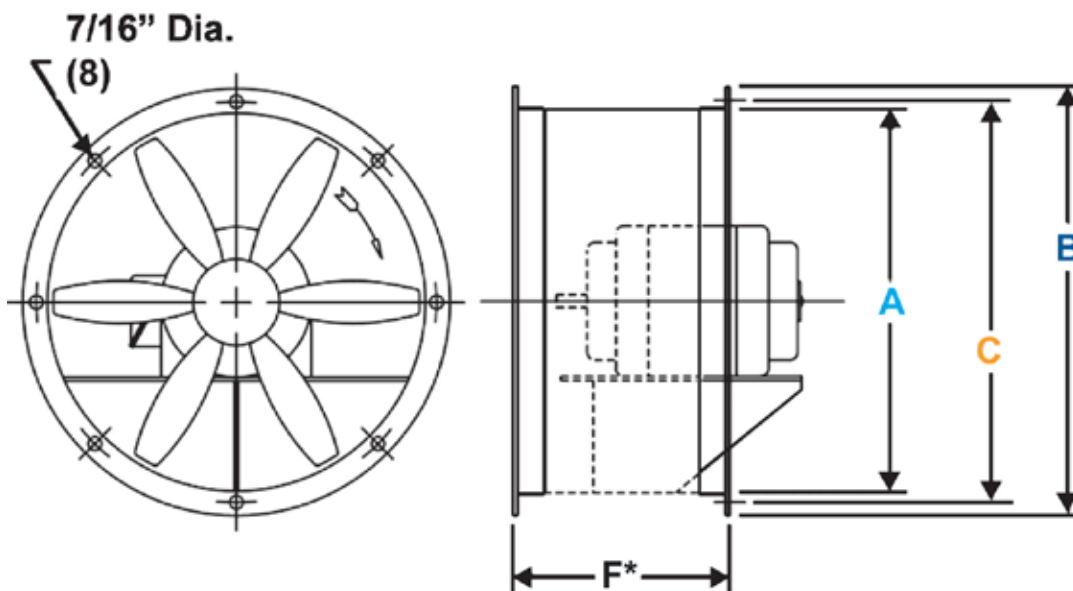
PLDA Models



1 Year Warranty

Features

- Ball Bearing, Standard NEMA Frame Motors
- Spark Resistant Cast Aluminum Propellers
- Fan Easily Mounts in Round Duct



PLDA Model Dimensions

Prop Dia.	Dimensions (in.)			
	A	B	C	F*
12"	12	14	13	14
18"	18	20	19	14
24"	24	27	25 ½	18
27"	27	30	28 ½	18
30"	30	33	31 ½	18
34"	34	37	35 ½	18
42"	42	45	43 ½	18
48"	48	51	49 ½	18

Direct Drive Fans

For Special Custom Order Products - Once in production non-cancellable, non-returnable under any circumstance.

Tube Axial

PLDA Models

Motor Voltage Key

1 Phase 115/230V

3 Phase 230/460V

Totally Enclosed Single Speed Motor

EDP No.	Catalog No.	Prop Dia.	HP	Fan RPM	Capacity (CFM) @ "SP in. W.G.						Ship Wt.
					0"	1/8"	1/4"	3/8"	1/2"	3/4"	
32002 32003	PLDA12FZ	12"	1/2	3450	1875	1650	1400	1320	1250	1100	41
32008 32009	PLDA12HZ	12"	3/4	3450	2044	1960	1620	1820	1650	1500	50
32014 32015	PLDA18CA	18"	1/4	1725	3450	3050	2500	1200	---	---	60
32020 32021	PLDA18DA	18"	1/3	1725	3315	3000	2600	2000	1400	---	90
32026 32027	PLDA18JA	18"	1	1725	4600	4375	4080	3600	3000	2100	100
32032 32033	PLDA24CA	24"	1/4	1725	5200	4200	2820	1050	---	---	96
32038 32039	PLDA24DC	24"	1/3	1140	4975	4690	4250	3920	2850	---	100
32044 32045	PLDA24FA	24"	1/2	1725	6510	5880	5200	4150	3100	1800	114
32051 32052	PLDA24HC	24"	3/4	1140	6900	6450	6265	5600	3300	---	120
32057 32058	PLDA24JA	24"	1	1725	7425	7000	6350	5850	5000	3300	150
32062	PLDA24OA	24"	3	1725	10500	9800	9500	9100	8700	7800	190
32066 32067	PLDA27FA	27"	1/2	1725	7550	6829	6000	5100	4000	2000	122
32073 32074	PLDA27JA	27"	1	1725	9600	9000	8400	7775	7050	4800	152
32079 32080	PLDA27MA	27"	2	1725	11500	11200	10700	10000	9300	8000	175
32085 32086	PLDA30FA	30"	1/2	1725	8980	7650	6300	5400	4350	2300	128
32091 32092	PLDA30HC	30"	3/4	1140	10440	9750	8750	7640	6000	---	185
32097 32098	PLDA30MA	30"	2	1725	12000	11250	10450	9600	8700	6000	180
32102	PLDA30MC	30"	2	1140	14000	13750	12900	11850	10450	2500	180
32105	PLDA30OA	30"	3	1725	16000	15350	14700	13850	12900	10200	200
32109 32110	PLDA34KA	34"	1½	1725	13350	12100	10000	9100	7300	---	190
32115 32116	PLDA34MA	34"	2	1725	14850	13600	12100	10450	8800	4000	200
32120	PLDA34MC	34"	2	1140	15950	15100	13800	12500	11400	---	200



For Special Custom Order Products - Once in production non-cancellable, non-returnable under any circumstance.

Tube Axial

PLDA Models

Motor Voltage Key

1 Phase	115/230V
3 Phase	230/460V

Totally Enclosed Single Speed Motor

EDP No.	Catalog No.	Prop Dia.	HP	Fan RPM	Capacity (CFM) @ "SP in. W.G.						Ship Wt.
					0"	1/8"	1/4"	3/8"	1/2"	3/4"	
32123	PLDA34OC	34"	3	1140	19300	18290	17230	16000	14800	11614	250
32126	PLDA42JD	42"	1	870	15800	15200	13480	12310	5800	9000	260
32128	PLDA42MC	42"	2	1140	17964	17277	15326	13990	12351	7600	252
32131	PLDA42MD	42"	2	870	22040	21000	20500	18500	15000	6000	260
32133	PLDA42PC	42"	5	1140	28970	27960	26840	25700	24200	19500	300
32136	PLDA48OC	48"	3	1140	28600	26500	24400	22000	20000	15900	290
32138	PLDA48OD	48"	3	870	28700	26500	24200	21600	18500	10000	290
32140	PLDA48PD	48"	5	870	33000	31500	29750	27650	25300	18000	310

Explosion Proof Single Speed Motor

EDP No.	Catalog No.	Prop Dia.	HP	Fan RPM	Capacity (CFM) @ "SP in. W.G.						Ship Wt.
					0"	1/8"	1/4"	3/8"	1/2"	3/4"	
32004	PLDA12FZ	12"	1/2	3450	1875	1650	1400	1320	1250	1100	41
32005											
32010	PLDA12HZ	12"	3/4	3450	2044	1960	1620	1820	1650	1500	50
32011											
32016	PLDA18CA	18"	1/4	1725	3450	3050	2500	1200	---	---	60
32017											
32022	PLDA18DA	18"	1/3	1725	3315	3000	2600	2000	1400	---	90
32023											
32028	PLDA18JA	18"	1	1725	4600	4375	4080	3600	3000	2100	100
32029											
32034	PLDA24CA	24"	1/4	1725	5200	4200	2820	1050	---	---	96
32035											
32040	PLDA24DC	24"	1/3	1140	4975	4690	4250	3920	2850	---	100
32041											
32046	PLDA24FA	24"	1/2	1725	6510	5880	5200	4150	3100	1800	114
32047											
32053	PLDA24HC	24"	3/4	1140	6900	6450	6265	5600	3300	---	120
32054											
32059	PLDA24JA	24"	1	1725	7425	7000	6350	5850	5000	3300	150
32060											
32063	PLDA24OA	24"	3	1725	10500	9800	9500	9100	8700	7800	190
32068	PLDA27FA	27"	1/2	1725	7550	6829	6000	5100	4000	2000	122
32069											
32075	PLDA27JA	27"	1	1725	9600	9000	8400	7775	7050	4800	152
32076											
32081	PLDA27MA	27"	2	1725	11500	11200	10700	10000	9300	8000	175
32082											

Direct Drive Fans

For Special Custom Order Products - Once in production non-cancellable, non-returnable under any circumstance.

Tube Axial

PLDA Models

Motor Voltage Key

1 Phase 115/230V

3 Phase 230/460V

Explosion Proof Single Speed Motor

EDP No.	Catalog No.	Prop Dia.	HP	Fan RPM	Capacity (CFM) @ "SP in. W.G.						Ship Wt.
					0"	1/8"	1/4"	3/8"	1/2"	3/4"	
32087	PLDA30FA	30"	1/2	1725	8980	7650	6300	5400	4350	2300	128
32088											
32093	PLDA30HC	30"	3/4	1140	10440	9750	8750	7640	6000	---	185
32094											
32100	PLDA30MA	30"	2	1725	12000	11250	10450	9600	8700	6000	180
32103	PLDA30MC	30"	2	1140	14000	13750	12900	11850	10450	2500	180
32106	PLDA30OA	30"	3	1725	16000	15350	14700	13850	12900	10200	200
32111	PLDA34KA	34"	1½	1725	13350	12100	10000	9100	7300	---	190
32112											
32118	PLDA34MA	34"	2	1725	14850	13600	12100	10450	8800	4000	200
32121	PLDA34MC	34"	2	1140	15950	15100	13800	12500	11400	---	200
32124	PLDA34OC	34"	3	1140	19300	18290	17230	16000	14800	11614	250
32129	PLDA42MC	42"	2	1140	17964	17277	15326	13990	12351	7600	252
32134	PLDA42PC	42"	5	1140	28970	27960	26840	25700	24200	19500	300



Tube Axial
PLDA Models
Accessories

EDP No.	Catalog No.	Prop Dia.	Description
32141	PLDA Accessory	12"	Matching Flange (1 ea.)
32146	PLDA Accessory	18"	Matching Flange (1 ea.)
32152	PLDA Accessory	24"	Matching Flange (1 ea.)
32157	PLDA Accessory	27"	Matching Flange (1 ea.)
32162	PLDA Accessory	30"	Matching Flange (1 ea.)
32167	PLDA Accessory	34"	Matching Flange (1 ea.)
32173	PLDA Accessory	42"	Matching Flange (1 ea.)
32178	PLDA Accessory	48"	Matching Flange (1 ea.)
32147	PLDA Accessory	18"	Inspection Door
32153	PLDA Accessory	24"	Inspection Door
32158	PLDA Accessory	27"	Inspection Door
32163	PLDA Accessory	30"	Inspection Door
32168	PLDA Accessory	34"	Inspection Door
32174	PLDA Accessory	42"	Inspection Door
32179	PLDA Accessory	48"	Inspection Door
32143	PLDA Accessory	12"	Guard (each)
32148	PLDA Accessory	18"	Guard (each)
32154	PLDA Accessory	24"	Guard (each)
32159	PLDA Accessory	27"	Guard (each)
32164	PLDA Accessory	30"	Guard (each)
32169	PLDA Accessory	34"	Guard (each)
32175	PLDA Accessory	42"	Guard (each)
32180	PLDA Accessory	48"	Guard (each)
32144	PLDA Accessory	12"	Epoxy Coating
32149	PLDA Accessory	18"	Epoxy Coating
32155	PLDA Accessory	24"	Epoxy Coating
32160	PLDA Accessory	27"	Epoxy Coating
32165	PLDA Accessory	30"	Epoxy Coating
32171	PLDA Accessory	34"	Epoxy Coating
32176	PLDA Accessory	42"	Epoxy Coating
32181	PLDA Accessory	48"	Epoxy Coating
32145	PLDA Accessory	12"	Cont. Weld of Flange to Drum
32151	PLDA Accessory	18"	Cont. Weld of Flange to Drum
32156	PLDA Accessory	24"	Cont. Weld of Flange to Drum
32161	PLDA Accessory	27"	Cont. Weld of Flange to Drum
32166	PLDA Accessory	30"	Cont. Weld of Flange to Drum
32172	PLDA Accessory	34"	Cont. Weld of Flange to Drum
32177	PLDA Accessory	42"	Cont. Weld of Flange to Drum
32182	PLDA Accessory	48"	Cont. Weld of Flange to Drum

Belt Drive Fans

For Special Custom Order Products - Once in production non-cancellable, non-returnable under any circumstance.

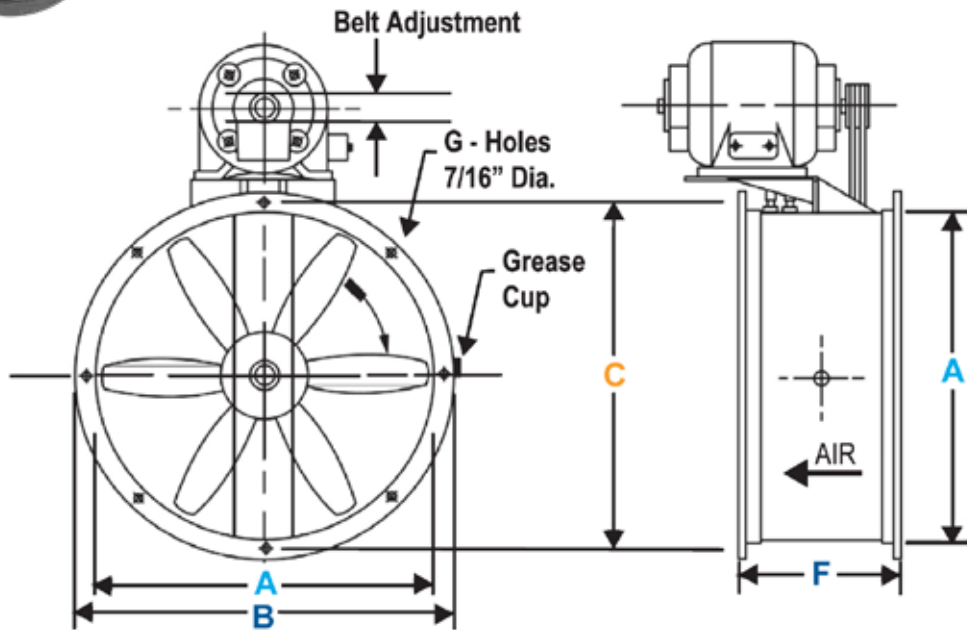
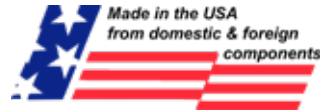
Tube Axial PLDXA Models



1 Year Warranty

Features

- Air Tight Cylinder Protects Belts, Bearings & Pulleys from Contaminated Air
- Spark Resistant Cast Aluminum Propellers
- Fan Easily Mounts in Round Duct
- Adjustable Motor Base



PLDXA Model Dimensions

Model	Dimensions (in.)				
	A	B	C	F	
12"	12	14	13	12	
15"	15	17	16	12	
18"	18	20	19	12	
24"	24	27	25 %	12	16*
27"	27	30	28 %	12	16**
30"	30	33	31 %	12	16**
34"	34	37	35 %		16
42"	42	45	43 %		18
48"	48	51	49 %		24

* - 1 ½ HP & Up

** - 2 HP & Up



For Special Custom Order Products - Once in production non-cancellable, non-returnable under any circumstance.

Tube Axial

PLDXA Models

Totally Enclosed Single Speed Motor

Motor Voltage Key

1 Phase 115/230V

3 Phase 230/460V

EDP No.	Catalog No.	Prop Dia.	HP	Fan RPM	Capacity (CFM) @ "SP in. W.G.						Ship Wt.
					0"	1/8"	1/4"	3/8"	1/2"	3/4"	
32185 32186	PLDXA12CA	12"	1/4	2625	1444	1307	1033	638	380	---	68
32191 32192	PLDXA12FA	12"	1/2	3450	1875	1560	1400	1320	1250	1100	72
32197 32198	PLDXA12HA	12"	3/4	3450	2044	1960	1920	1820	1650	1500	76
32203 32204	PLDXA15CA	15"	1/4	2000	2600	2100	1700	---	---	---	73
32209 32210	PLDXA15DA	15"	1/3	2200	2950	2500	2100	1760	1000	---	75
32215 32216	PLDXA15FA	15"	1/2	1890	3350	3000	2650	2200	1500	---	80
32221 32222	PLDXA15HA	15"	3/4	2200	3900	3700	3400	3100	2700	1150	95
32227 32228	PLDXA18CA	18"	1/4	1600	3050	2500	2000	1200	---	---	80
32233 32234	PLDXA18DA	18"	1/3	1725	3375	3000	2600	2000	1400	---	85
32239 32240	PLDXA18FA	18"	1/2	1890	3850	3500	3100	2500	2000	---	95
32245 32246	PLDXA18JA	18"	1	1725	4600	4375	4080	3600	3000	2100	115
32251 32252	PLDXA18KA	18"	1 1/2	1990	5350	5060	4830	4550	3950	3000	125
32257 32258	PLDXA24FA	24"	1/2	1298	5643	5320	4826	4440	3500	---	125
32263 32264	PLDXA24HA	24"	3/4	1600	6906	6510	5900	5440	4650	2750	130
32269 32270	PLDXA24JA	24"	1	1725	7425	7000	6350	5850	5000	3300	145
32275 32276	PLDXA24KA	24"	1 1/2	1540	8200	7900	7650	7280	6850	5500	150
32281 32282	PLDXA24MA	24"	2	1600	9760	9114	8830	8460	8090	7000	170
32286	PLDXA24OA	24"	3	1725	10500	9800	9500	9100	8700	7800	185
32290 32291	PLDXA27HA	27"	3/4	1250	8330	7814	7550	7070	6500	4650	135
32296 32297	PLDXZ27JA	27"	1	1400	9400	8675	8480	7950	7300	5200	155
32302 32303	PLDXA27KA	27"	1 1/2	1600	10700	10250	9700	9080	8375	6000	160

Belt Drive Fans

For Special Custom Order Products - Once in production non-cancellable, non-returnable under any circumstance.

Tube Axial PLDXA Models

Motor Voltage Key

1 Phase	115/230V
3 Phase	230/460V

Totally Enclosed Single Speed Motor

EDP No.	Catalog No.	Prop Dia.	HP	Fan RPM	Capacity (CFM) @ "SP in. W.G.						Ship Wt.
					0"	1/8"	1/4"	3/8"	1/2"	3/4"	
32308	PLDXA27MA	27"	2	1350	11500	11200	10700	10000	9300	8000	210
32309											
32314	PLDXA30FA	30"	1/2	1140	8900	7925	6660	4270	2300	---	118
32315											
32320	PLDXA30JA	30"	1	1298	9896	8970	7980	6050	4120	---	140
32321											
32326	PLDXA30KA	30"	1 1/2	1035	11100	10600	9700	8600	7500	3500	165
32327											
32332	PLDXA30MA	30"	2	1176	12100	11660	11000	10121	9322	6700	200
32333											
32337	PLDXA30OA	30"	3	1350	13480	12982	12498	12042	11465	10380	215
32341	PLDXA34KA	34"	1 1/2	1170	13695	12400	11100	8365	6000	1050	175
32342											
32347	PLDXA34MA	34"	2	1027	14657	13652	12590	11500	10000	8000	210
32348											
32354	PLDXA34OA	34"	3	1175	17580	16750	15896	14600	14095	12000	275
32358	PLDXA42KA	42"	1 1/2	750	18960	17000	14662	11700	7200	---	175
32359											
32364	PLDXA42MA	42"	2	820	20700	18900	17002	14700	11400	4000	210
32365											
32369	PLDXA42OA	42"	3	890	23700	22100	20200	18960	16970	9950	275
32374	PLDXA42PA	42"	5	850	26900	25600	24403	23450	22250	18400	325
32377	PLDXA48PA	48"	5	800	33000	31000	29400	27500	25670	20700	375
32380	PLDXA48QA	48"	7 1/2	900	37500	35900	34500	32800	31200	27700	430
32383	PLDXA48RA	48"	10	1000	41200	39700	38300	36900	35400	32400	520

Explosion Proof Single Speed Motor

EDP No.	Catalog No.	Prop Dia.	HP	Fan RPM	Capacity (CFM) @ "SP in. W.G.						Ship Wt.
					0"	1/8"	1/4"	3/8"	1/2"	3/4"	
32187	PLDXA12CA	12"	1/4	2625	1444	1307	1033	638	380	---	68
32188											
32193	PLDXA12FA	12"	1/2	3450	1875	1560	1400	1320	1250	1100	72
32194											
32199	PLDXA12HA	12"	3/4	3450	2044	1960	1920	1820	1650	1500	76
32200											
32205	PLDXA15CA	15"	1/4	2000	2600	2100	1700	---	---	---	73
32206											
32211	PLDXA15DA	15"	1/3	2200	2950	2500	2100	1760	1000	---	75
32212											



For Special Custom Order Products - Once in production non-cancellable, non-returnable under any circumstance.

Tube Axial

PLDXA Models

Motor Voltage Key

1 Phase	115/230V
3 Phase	230/460V

Explosion Proof Single Speed Motor

EDP No.	Catalog No.	Prop Dia.	HP	Fan RPM	Capacity (CFM) @ "SP in. W.G.						Ship Wt.
					0"	1/8"	1/4"	3/8"	1/2"	3/4"	
32217 32218	PLDXA15FA	15"	1/2	1890	3350	3000	2650	2200	1500	---	80
32223 32224	PLDXA15HA	15"	3/4	2200	3900	3700	3400	3100	2700	1150	95
32229 32230	PLDXA18CA	18"	1/4	1600	3050	2500	2000	1200	---	---	80
32235 32236	PLDXA18DA	18"	1/3	1725	3375	3000	2600	2000	1400	---	85
32241 32242	PLDXA18FA	18"	1/2	1890	3850	3500	3100	2500	2000	---	95
32247 32248	PLDXA18JA	18"	1	1725	4600	4375	4080	3600	3000	2100	115
32253 32254	PLDXA18KA	18"	1 1/2	1990	5350	5060	4830	4550	3950	3000	125
32259 32260	PLDXA24FA	24"	1/2	1298	5643	5320	4826	4440	3500	---	125
32265 32266	PLDXA24HA	24"	3/4	1600	6906	6510	5900	5440	4650	2750	130
32271 32272	PLDXA24JA	24"	1	1725	7425	7000	6350	5850	5000	3300	145
32277 32278	PLDXA24KA	24"	1 1/2	1540	8200	7900	7650	7280	6850	5500	150
32283 32284	PLDXA24MA	24"	2	1600	9760	9114	8830	8460	8090	7000	170
32287	PLDXA24OA	24"	3	1725	10500	9800	9500	9100	8700	7800	185
32292 32293	PLDXA27HA	27"	3/4	1250	8330	7814	7550	7070	6500	4650	135
32298 32299	PLDXZ27JA	27"	1	1400	9400	8675	8480	7950	7300	5200	155
32304 32305	PLDXA27KA	27"	1 1/2	1600	10700	10250	9700	9080	8375	6000	160
32310 32311	PLDXA27MA	27"	2	1350	11500	11200	10700	10000	9300	8000	210
32316 32317	PLDXA30FA	30"	1/2	1140	8900	7925	6660	4270	2300	---	118
32322 32323	PLDXA30JA	30"	1	1298	9896	8970	7980	6050	4120	---	140
32328 32329	PLDXA30KA	30"	1 1/2	1035	11100	10600	9700	8600	7500	3500	165

Belt Drive Fans

For Special Custom Order Products - Once in production non-cancellable, non-returnable under any circumstance.

Tube Axial

PLDXA Models

Totally Enclosed Single Speed Motor

Motor Voltage Key

1 Phase	115/230V
3 Phase	230/460V

EDP No.	Catalog No.	Prop Dia.	HP	Fan RPM	Capacity (CFM) @ "SP in. W.G.						Ship Wt.
					0"	1/8"	1/4"	3/8"	1/2"	3/4"	
32334	PLDXA30MA	30"	2	1176	12100	11660	11000	10121	9322	6700	200
32335											
32338	PLDXA30OA	30"	3	1350	13480	12982	12498	12042	11465	10380	215
32343	PLDXA34KA	34"	1 ½	1170	13695	12400	11100	8365	6000	1050	175
32344											
32349	PLDXA34MA	34"	2	1027	14657	13652	12590	11500	10000	8000	210
32352											
32355	PLDXA34OA	34"	3	1175	17580	16750	15896	14600	14095	12000	275
32360	PLDXA42KA	42"	1 ½	750	18960	17000	14662	11700	7200	---	175
32361											
32366	PLDXA42MA	42"	2	820	20700	18900	17002	14700	11400	4000	210
32367											
32372	PLDXA42OA	42"	3	890	23700	22100	20200	18960	16970	9950	275
32375	PLDXA42PA	42"	5	850	26900	25600	24403	23450	22250	18400	325
32378	PLDXA48PA	48"	5	800	33000	31000	29400	27500	25670	20700	375
32381	PLDXA48QA	48"	7 ½	900	37500	35900	34500	32800	31200	27700	430
32384	PLDXA48RA	48"	10	1000	41200	39700	38300	36900	35400	32400	520

Weather Cover

EDP No.	Catalog No.	Size	HP	Description
88202	Weather Cover	12" - 42"	Up to 1.5	For Motor and Drive
88203	Weather Cover	24" - 48"	2 - 5	For Motor and Drive
88205	Weather Cover	42" - 48"	7.5 & Up	For Motor and Drive

Accessories

EDP No.	Catalog No.	Prop Dia.	Description
32385	PLDXA Accessory	12"	Matching Flange (1 ea.)
32392	PLDXA Accessory	15"	Matching Flange (1 ea.)
32398	PLDXA Accessory	18"	Matching Flange (1 ea.)
32404	PLDXA Accessory	24"	Matching Flange (1 ea.)
32412	PLDXA Accessory	27"	Matching Flange (1 ea.)
32418	PLDXA Accessory	30"	Matching Flange (1 ea.)
32424	PLDXA Accessory	34"	Matching Flange (1 ea.)
32431	PLDXA Accessory	42"	Matching Flange (1 ea.)
32437	PLDXA Accessory	48"	Matching Flange (1 ea.)
32399	PLDXA Accessory	18"	Inspection Door
32405	PLDXA Accessory	24"	Inspection Door
32413	PLDXA Accessory	27"	Inspection Door
32419	PLDXA Accessory	30"	Inspection Door
32425	PLDXA Accessory	34"	Inspection Door
32432	PLDXA Accessory	42"	Inspection Door



For Special Custom Order Products - Once in production non-cancellable, non-returnable under any circumstance.

Tube Axial PLDXA Models

Accessories

EDP No.	Catalog No.	Prop Dia.	Description
32438	PLDXA Accessory	48"	Inspection Door
32387	PLDXA Accessory	12"	Inlet / Outlet Guard
32394	PLDXA Accessory	15"	Inlet / Outlet Guard
32400	PLDXA Accessory	18"	Inlet / Outlet Guard
32406	PLDXA Accessory	24"	Inlet / Outlet Guard
32414	PLDXA Accessory	27"	Inlet / Outlet Guard
32420	PLDXA Accessory	30"	Inlet / Outlet Guard
32426	PLDXA Accessory	34"	Inlet / Outlet Guard
32433	PLDXA Accessory	42"	Inlet / Outlet Guard
32439	PLDXA Accessory	48"	Inlet / Outlet Guard
32388	PLDXA Accessory	12"	Belt Drive Guard (OSHA)
32395	PLDXA Accessory	15"	Belt Drive Guard (OSHA)
32401	PLDXA Accessory	18"	Belt Drive Guard (OSHA)
32407	PLDXA Accessory	24"	Belt Drive Guard (OSHA)
32415	PLDXA Accessory	27"	Belt Drive Guard (OSHA)
32421	PLDXA Accessory	30"	Belt Drive Guard (OSHA)
32427	PLDXA Accessory	34"	Belt Drive Guard (OSHA)
32434	PLDXA Accessory	42"	Belt Drive Guard (OSHA)
32440	PLDXA Accessory	48"	Belt Drive Guard (OSHA)
32389	PLDXA Accessory	12"	Epoxy Coating
32396	PLDXA Accessory	15"	Epoxy Coating
32402	PLDXA Accessory	18"	Epoxy Coating
32408	PLDXA Accessory	24"	Epoxy Coating
32416	PLDXA Accessory	27"	Epoxy Coating
32422	PLDXA Accessory	30"	Epoxy Coating
32428	PLDXA Accessory	34"	Epoxy Coating
32435	PLDXA Accessory	42"	Epoxy Coating
32441	PLDXA Accessory	48"	Epoxy Coating
32391	PLDXA Accessory	12"	Cont. Weld of Flange o Drum
32397	PLDXA Accessory	15"	Cont. Weld of Flange o Drum
32403	PLDXA Accessory	18"	Cont. Weld of Flange o Drum
32409	PLDXA Accessory	24"	Cont. Weld of Flange o Drum
32417	PLDXA Accessory	27"	Cont. Weld of Flange o Drum
32423	PLDXA Accessory	30"	Cont. Weld of Flange o Drum
32429	PLDXA Accessory	34"	Cont. Weld of Flange o Drum
32436	PLDXA Accessory	42"	Cont. Weld of Flange o Drum
32442	PLDXA Accessory	48"	Cont. Weld of Flange o Drum

See page 3 for Explosion roof Motor Information.